

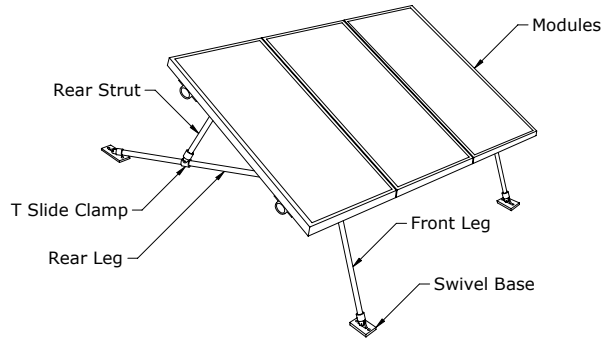


Data Sheet: SPK-LL series array supports

Product Overview

A galvanised steel array support structure supplied in kit for easy site assembly. Suited for small to medium solar arrays the low level (LL) array support provides an elevated platform to keep arrays away from ground vegetation and other objects which may cause shading.

The photovoltaic modules are held at the optimum tilt angle (determined by site location) and consist of a kit of components that can be readily handled and assembled on site. These structures are designed to withstand adverse environmental conditions with minimal maintenance. They are available to support from 2 to 8 modules. Additional structures can be used to support more modules.



Product Features

- Suitable for use with industry standard solar modules;
- Cost effective galvanised steel tube;
- Simple bolt together kit - no welding or drilling required at site*;
- Galvanising to BS 1461;
- Wind gusting to 200km/h;
- All fasteners supplied;
- Ground anchors supplied;
- Tilt angle adjustment (15° - 65°);
- Galvanic isolation between module frames and structure to prevent dissimilar metal contact;
- Fasteners up to M8 are stainless steel;
- Galvanised steel fasteners above M8;

* with the exception of holes for foundation bolts.

SPK-LL-Assembly

Client Ref	SPK Ref	Document Ref	Date	Sheet
		303443-81-R01 STR SPK-LL Data Sheet.doc	2003-10-28	1 of 1